

Specifications

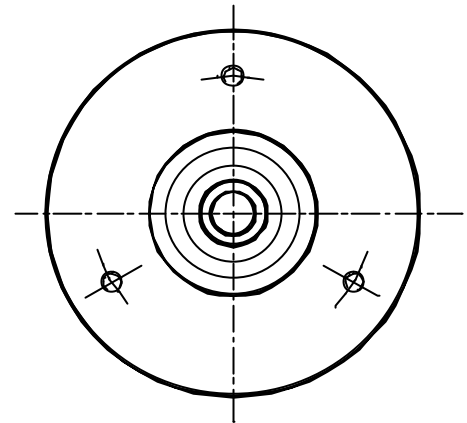
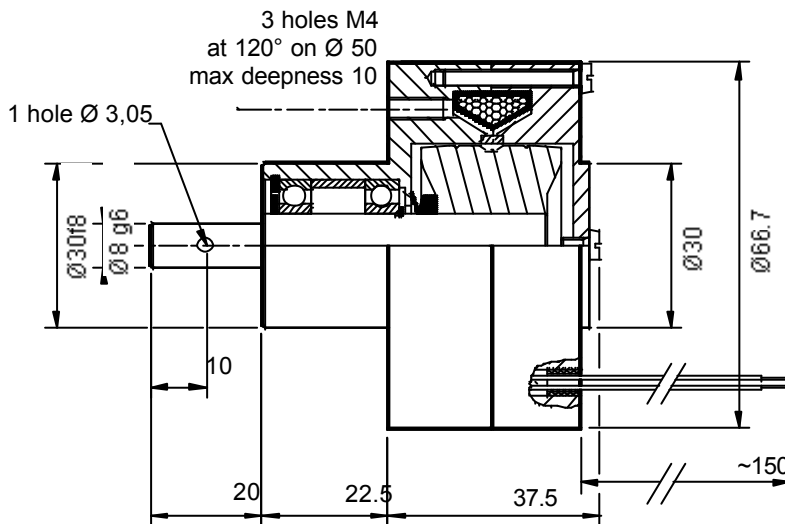
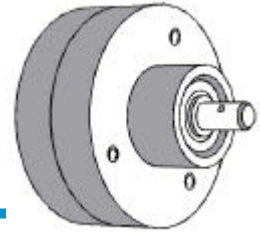
Nominal torque	(Nm)	2
Minimal torque	(Nm)	0,04
Coil resistance - 20°C	(ohms)	31
Rated current DC	(A)	0,45
Rotor inertia	(kg.m ²)	35.10 ⁻⁶
Weight	(kg)	0.910
Heat dissipation continuous sustained	(W)*	35

* Heat dissipation is the mechanical power ($P = cw$) maximum allowable.

Brake

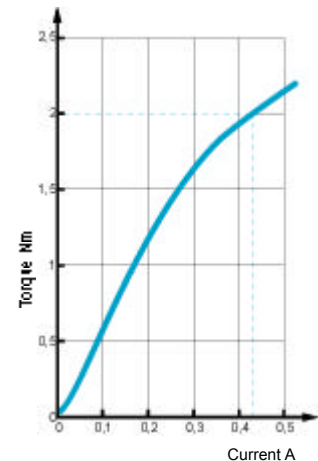
FAS 21

ref: 339 000 00



Utilization

- Mounting must be made without any stress.
Lubricated for life (other internal lubrication not allowed).
- Low DC current power supply for coil.
(See MEROBEL Electronic data sheets)
- The standard device is designed for horizontal shaft orientation,
and a minimal speed of 60 RPM. Maximum speed is 3000 RPM
(without exceeding the max. heat dissipation capability).
- For Engineering application, please contact our technical support.
- In normal use, the outside temperature of the device can increase up to 100°C,
without damage.



Safety

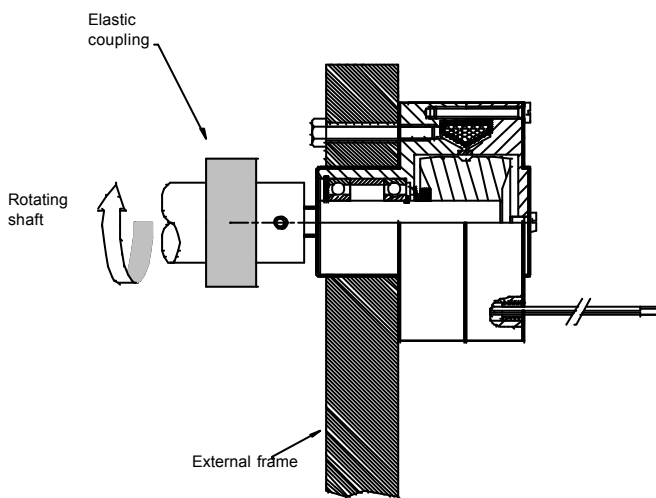
- If the device is to be used in dusty, humid or corrosive environment, special protection needs to be considered.

Maintenance

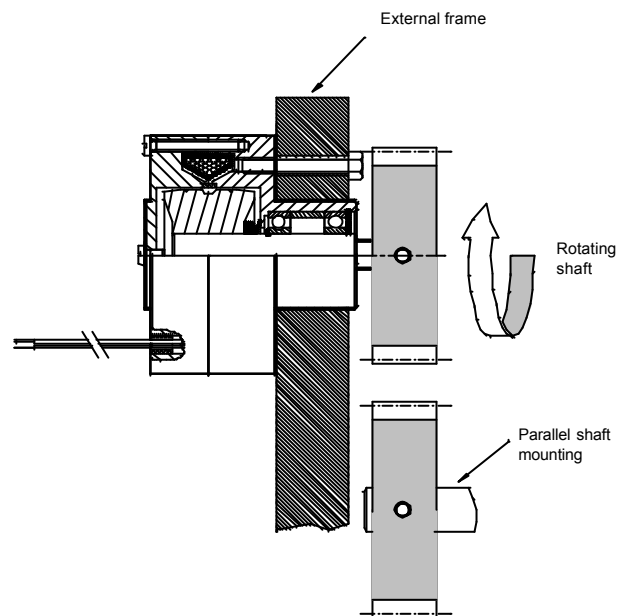
- Two procedures are available :
 - Full inhouse maintenance servicing : Please call +33/2 38 94 42 44
 - Spare parts or repair kits (depending on maintenance level) :
 - Kit (powder, ball bearings, seals, felts) ref: 809.187.03
- In any case, our After Sales service is at your disposal.

Recommended mounting principles

In line mounting



Parallel mounting



Specifications

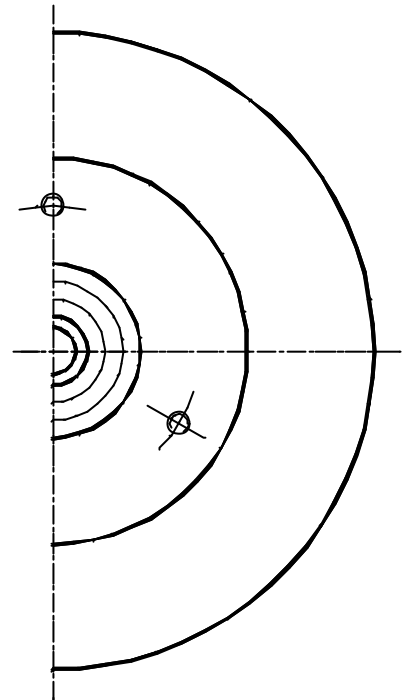
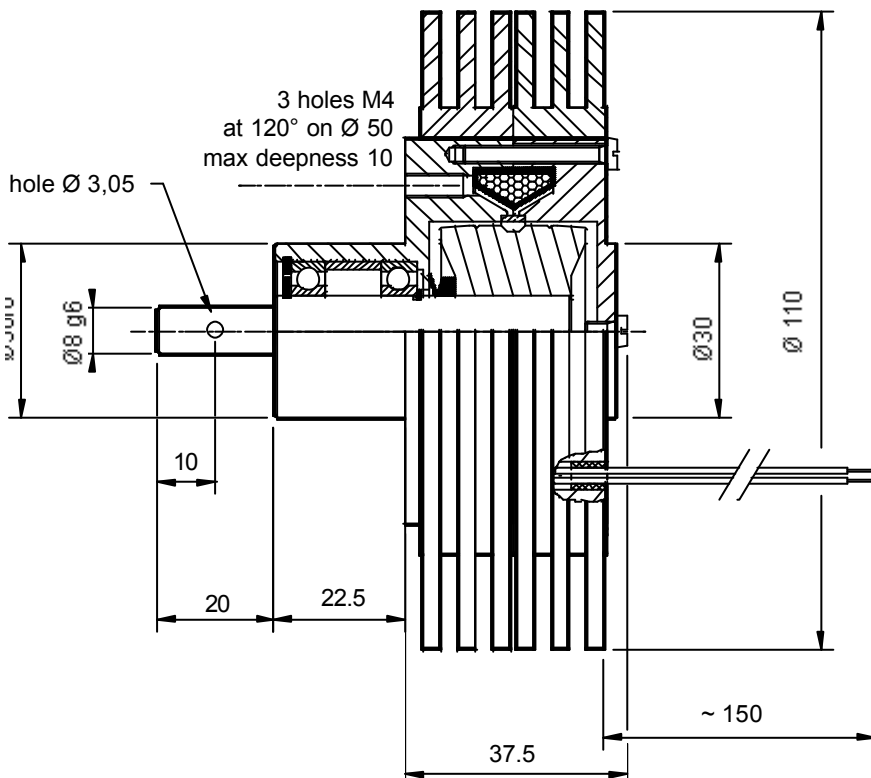
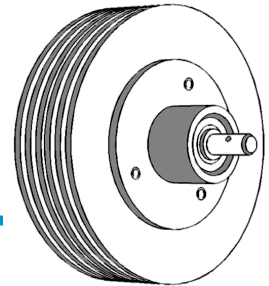
Nominal torque	(Nm)	2
Minimal torque	(Nm)	0,04
Coil resistance - 20°C	(ohms)	31
Rated current DC	(A)	0,45
Rotor inertia	(kg.m ²)	35.10 ⁻⁶
Weight	(kg)	1.250
Heat dissipation continuous sustained	(W)*	60

* Heat dissipation is the mechanical power ($P = cw$) maximum allowable.

Brake

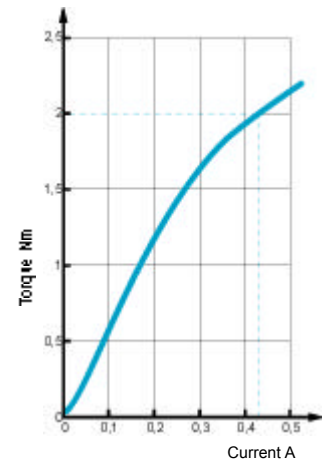
FRAS 21

ref: 339 100 00



Utilization

- Mounting must be made without any stress. Lubricated for life (other internal lubrication not allowed).
- Low DC current power supply for coil. (See MEROBEL Electronic data sheets)
- The standard device is designed for horizontal shaft orientation, and a minimal speed of 60 RPM. Maximum speed is 3000 RPM (without exceeding the max. heat dissipation capability).
- For Engineering application, please contact our technical support.
- In normal use, the outside temperature of the device can increase up to 100°C, without damage.



Safety

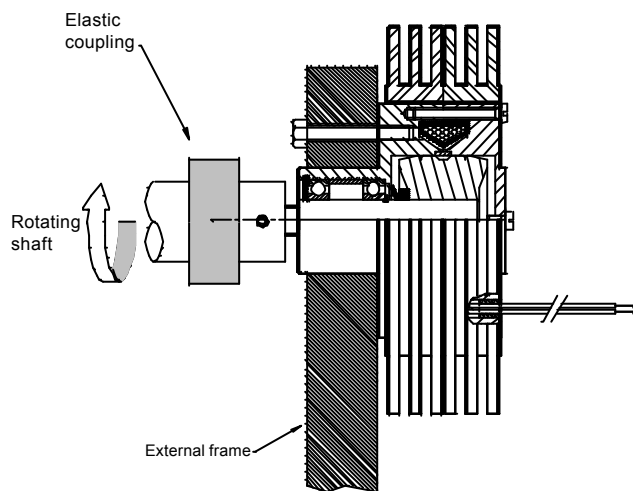
- If the device is to be used in dusty, humid or corrosive environment, special protection needs to be considered.

Maintenance

- Two procedures are available:
 - Full inhouse maintenance servicing: Please call +33/2 38 94 42 44
 - Spare parts or repair kits (depending on maintenance level):
 - Kit (powder, ball bearings, seals, felts) ref: 809.187.03
- In any case, our After Sales service is at your disposal.

Recommended mounting principles

In line mounting



Parallel mounting

