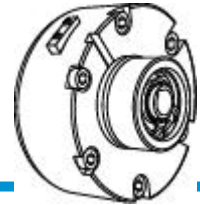


Brake

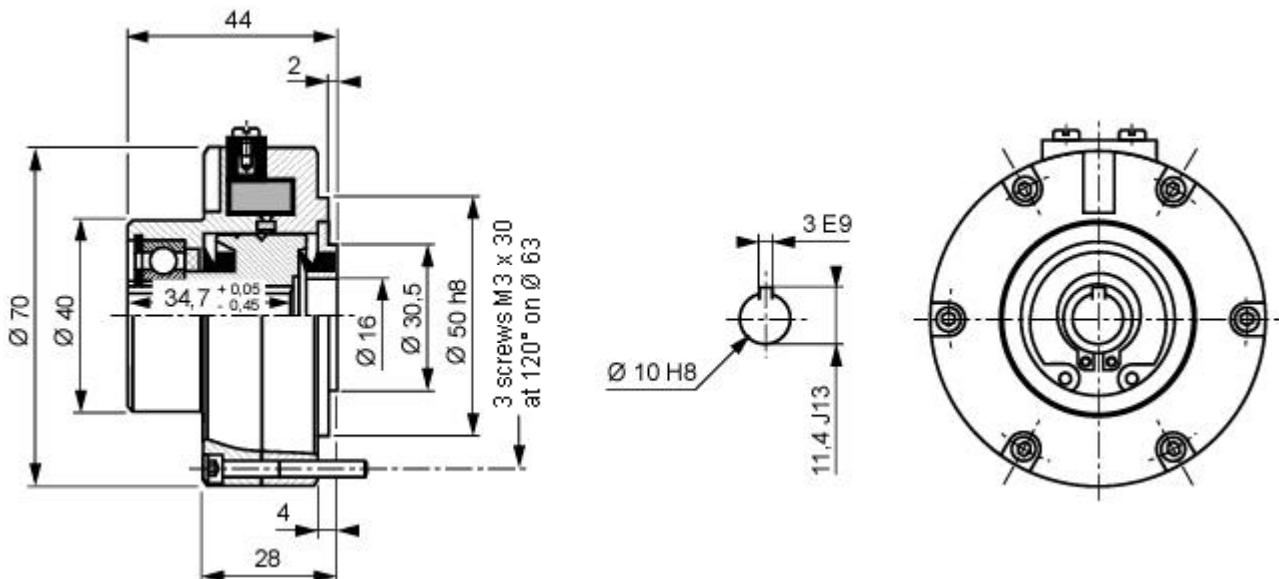
FAT 20
ref: 314.320.00



Specifications

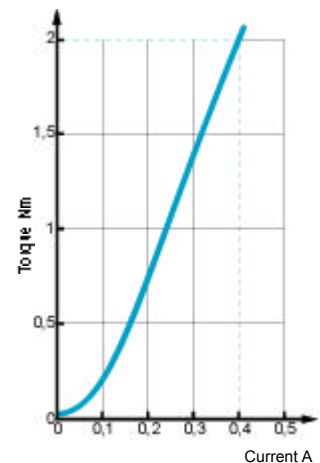
Nominal torque	(Nm)	2
Minimal torque	(Nm)	0,04
Coil resistance - 20°C	(ohms)	24
Rated current DC	(A)	0,40
Rotor inertia	(kg.m ²)	16.10 ⁻⁶
Weight	(kg)	0,80
Heat dissipation continuous sustained	(W)*	40

*Heat dissipation is the mechanical power (P = cw) maximum allowable.



Utilization

- Mounting must be made without any stress. Lubricated for life (other internal lubrication not allowed). The shaft should be lubricated upon assembly, to prevent seizing.
- Low DC current power supply for coil.
(See MEROBEL Electronic data sheets).
- The standard device is designed for horizontal shaft orientation, and a minimal speed of 60 RPM. Maximum speed is 3000 RPM.
(without exceeding the max. heat dissipation capability).
- For Engineering application, please contact our technical support.
- In normal use, the outside temperature of the device can increase up to 100°C, without damage.



Safety

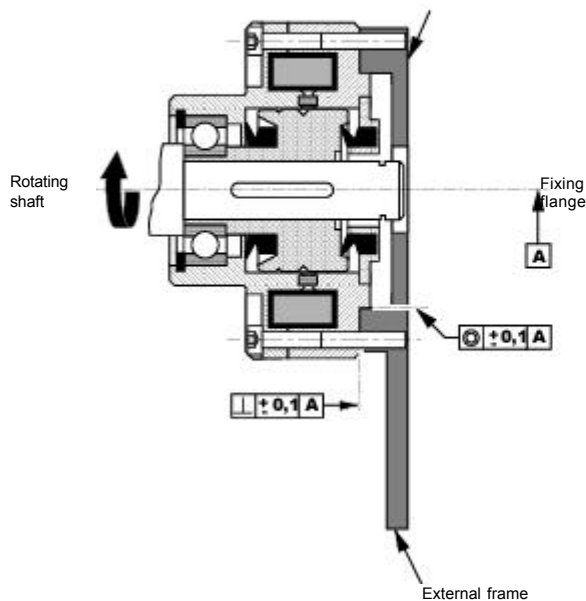
- If the device is to be used in dusty, humid or corrosive environment, special protection needs to be considered

Safety

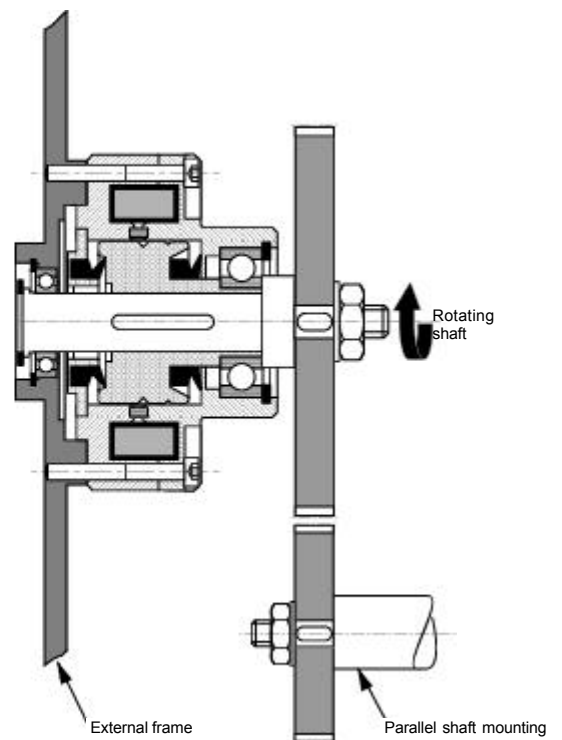
- Two procedures are available:
 - Full inhouse maintenance servicing:
 - Please call +33/ 2 38 94 42 44**
 - Spare parts or repair kits (depending on maintenance level)
 - Kit (powder, ball bearings, seals, felts) ref: 314.300.71
 - Coil ref: 314.320.06
 - Rotor ref: 314.300.03
- In any case, our After Sales service is at your disposal.

Recommended mounting principles

In line mounting



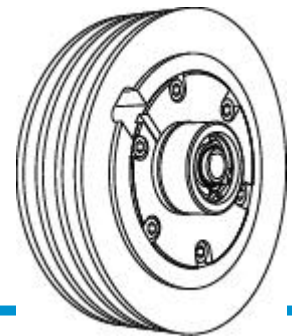
Parallel mounting



Brake

FRAT 20

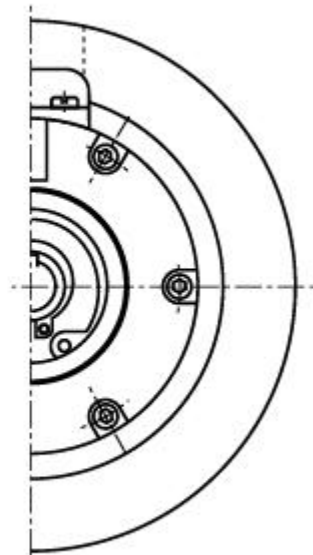
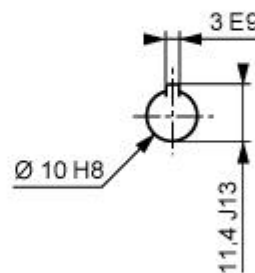
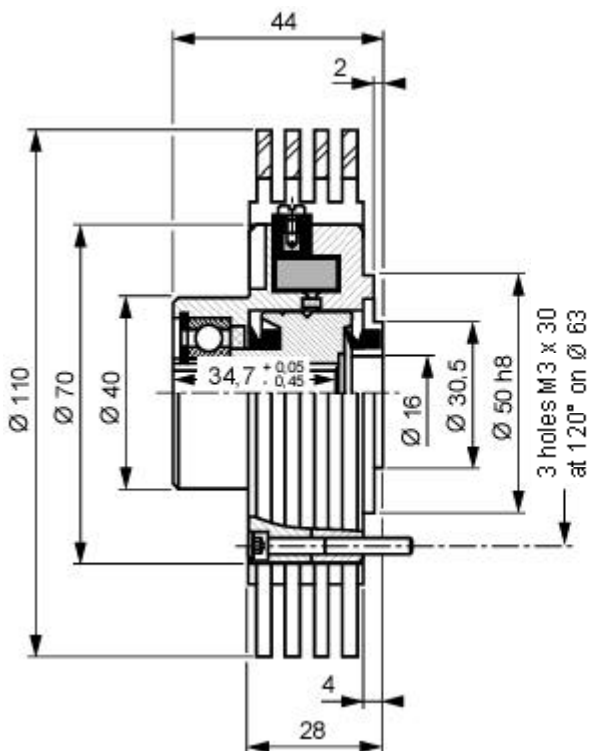
ref: 314.325.00



Specifications

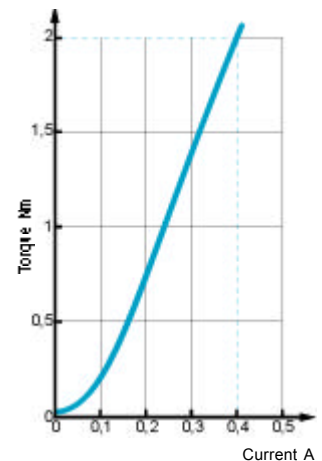
Nominal torque	(Nm)	2
Minimal torque	(Nm)	0,04
Coil resistance - 20°C	(ohms)	24
Rated current DC	(A)	0,40
Rotor inertia	(kg.m ²)	16.10 ⁻⁶
Weight	(kg)	0,90
Heat dissipation continuous sustained	(W)*	60

*Heat dissipation is the mechanical power ($P = cw$) maximum allowable.



Utilization

- Mounting must be made without any stress.
Lubricated for life (other internal lubrication not allowed).
The shaft should be lubricated upon assembly, to prevent seizing.
- Low DC current power supply for coil.
(See MEROBEL Electronic data sheets).
- The standard device is designed for horizontal shaft orientation, and a minimal speed of 60 RPM. Maximum speed is 3000 RPM. (without exceeding the max. heat dissipation capability)
- For Engineering application, please contact our technical support.
- In normal use, the outside temperature of the device can increase up to 100°C, without damage.



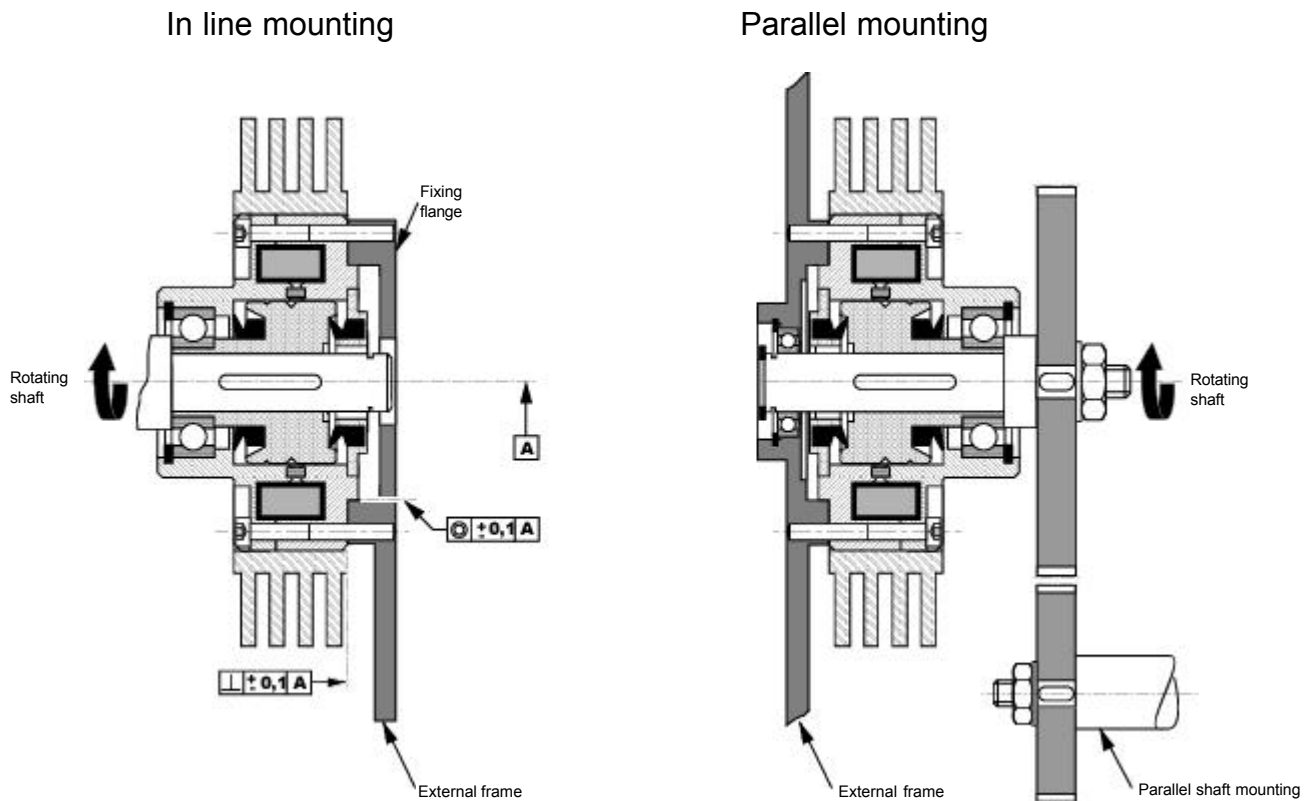
Safety

- If the device is to be used in dusty, humid or corrosive environment, special protection needs to be considered.

Maintenance

- Two procedures are available:
 - Full inhouse maintenance servicing:
 - Please call +33/ 2 38 94 42 44**
 - Spare parts or repair kits (depending on maintenance level)
 - Kit (powder, ball bearings, seals, felts) ref: 314.300.71
 - Coil ref: 314.320.06
 - Rotor ref: 314.300.03
- In any case, our After Sales service is at your disposal.

Recommended mounting principles



FT03 B 314.325 0001 CS00